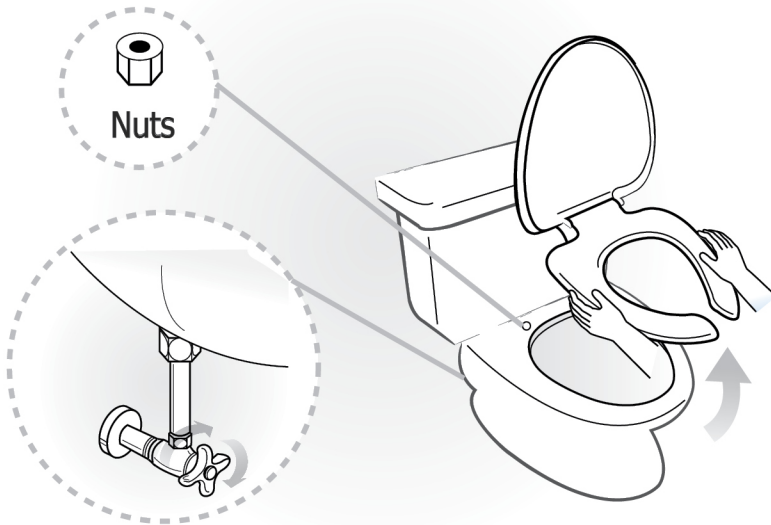
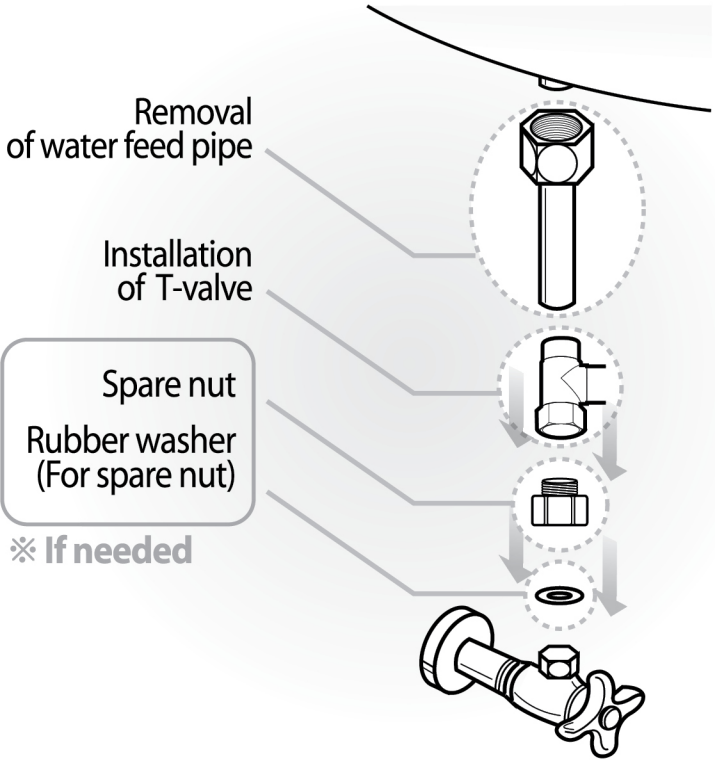


1 Remove the seat from the existing toilet body.

- ▶ Release the nuts, and then remove the seat and cover from it.
- ▶ Keep the removed seat, cover and nuts well in a proper place in case of using them again.
- ▶ Turn off the water.



2 Remove the water hose and then install T-valve.



3

Fix the bracket onto the toilet first.

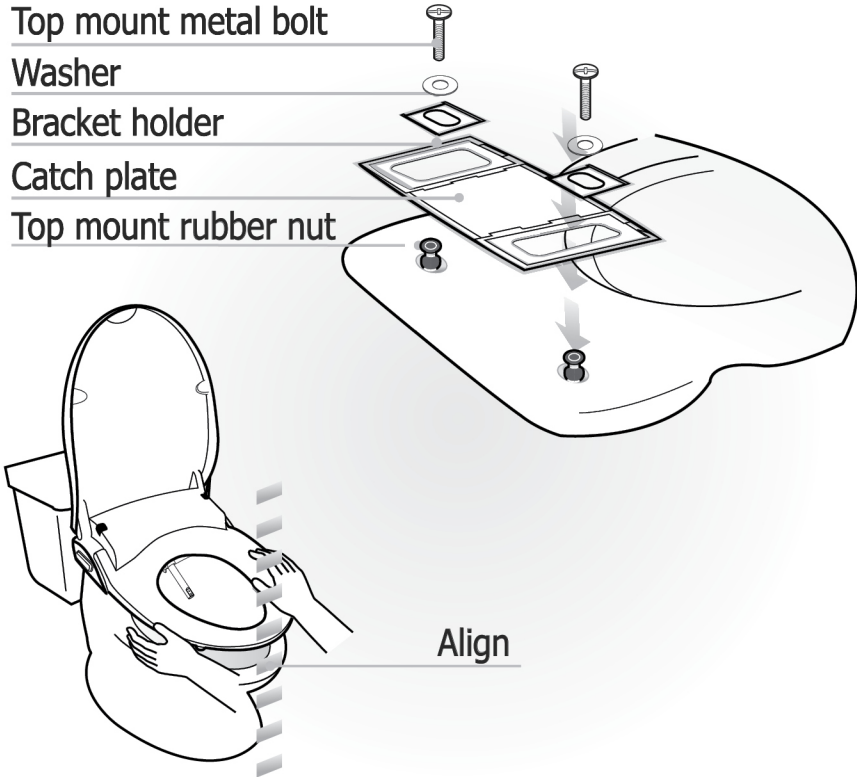
Top mount metal bolt

Washer

Bracket holder

Catch plate

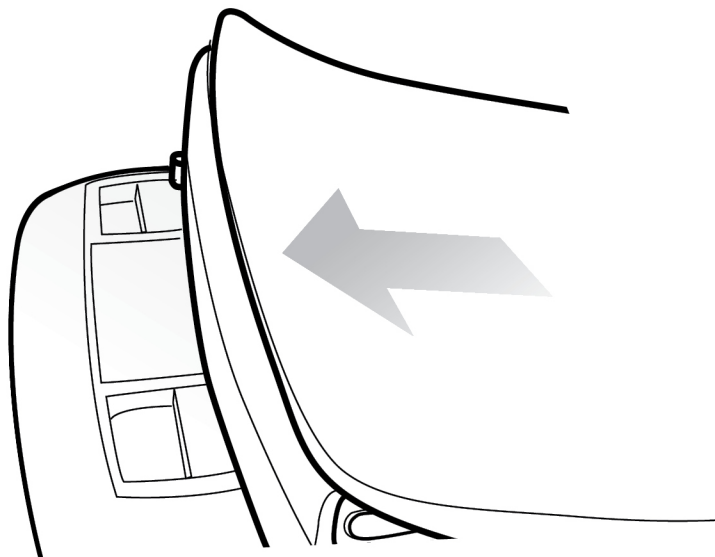
Top mount rubber nut



- ▶ Adjust the seat and the front part of toilet back and forth so that they can correspond with before fastening the nuts.

4

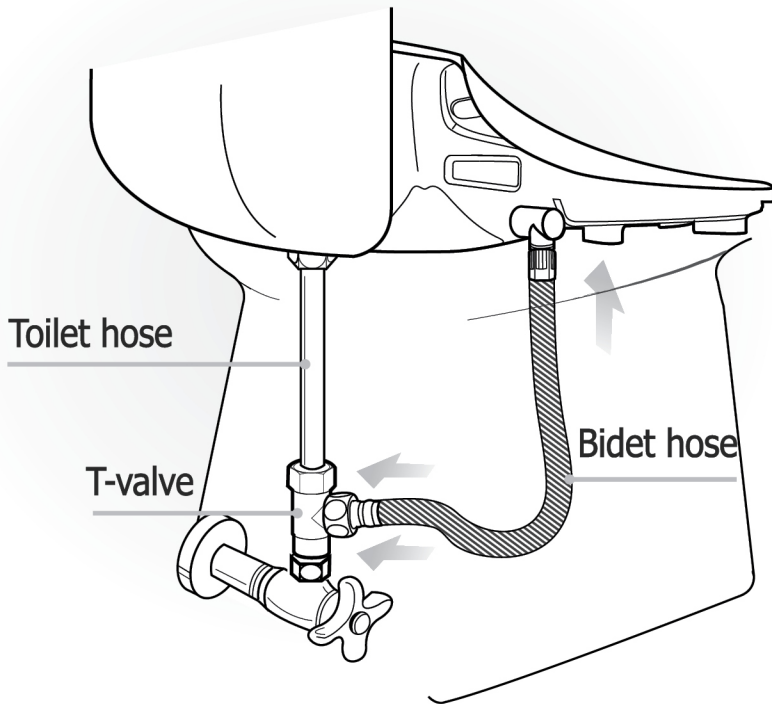
Push the main body toward the bracket completely.



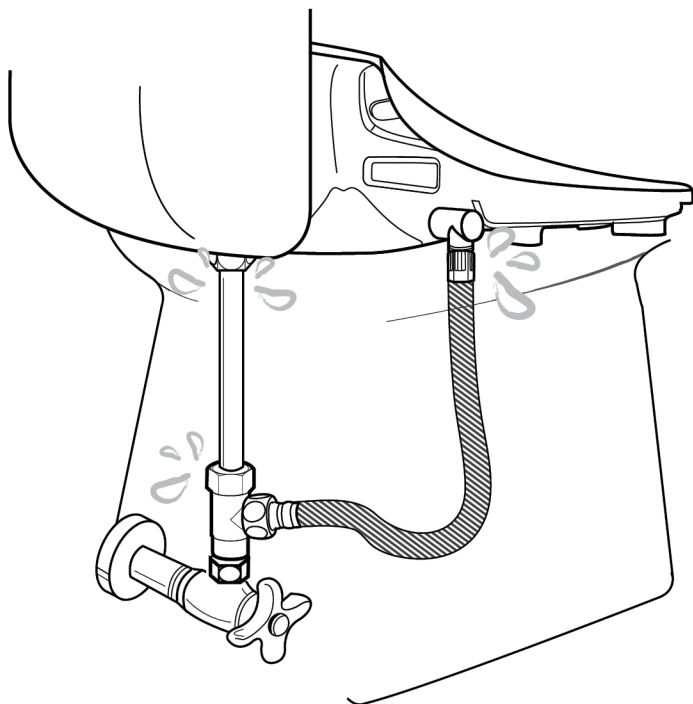
- ▶ Push it in until it sounds 'click'
- ▶ When the product is not installed well, it may cause seat apart.

5

After installing the T-valve, connect the bidet-use hose to the bidet body and turn on the water.



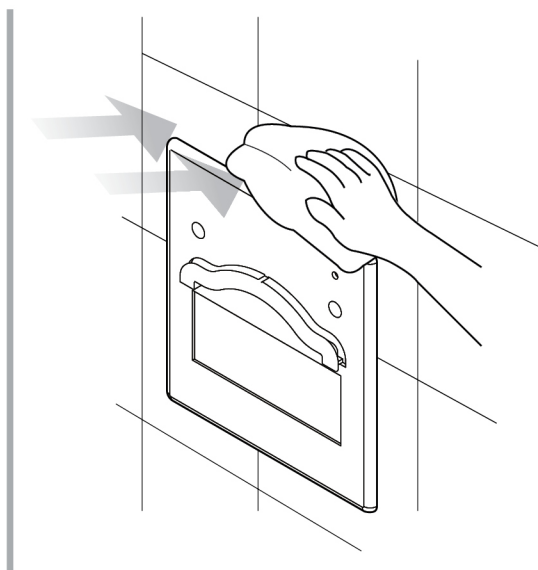
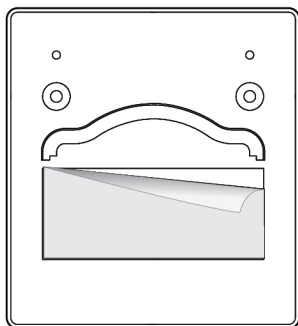
6 Be sure of no leakage around the hose connection.



7

Remove the adhesive protection to attach the remote control bracket to the wall or other surface.

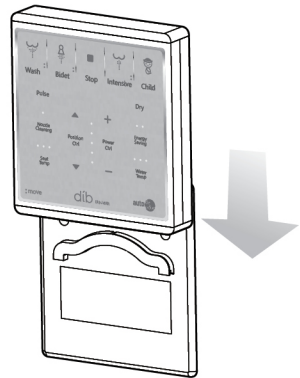
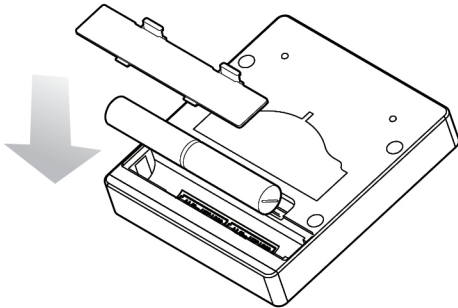
- ▶ Clean the area thoroughly before attaching the bracket



8

Insert two "AA" type batteries (included) as indicated inside battery compartment.

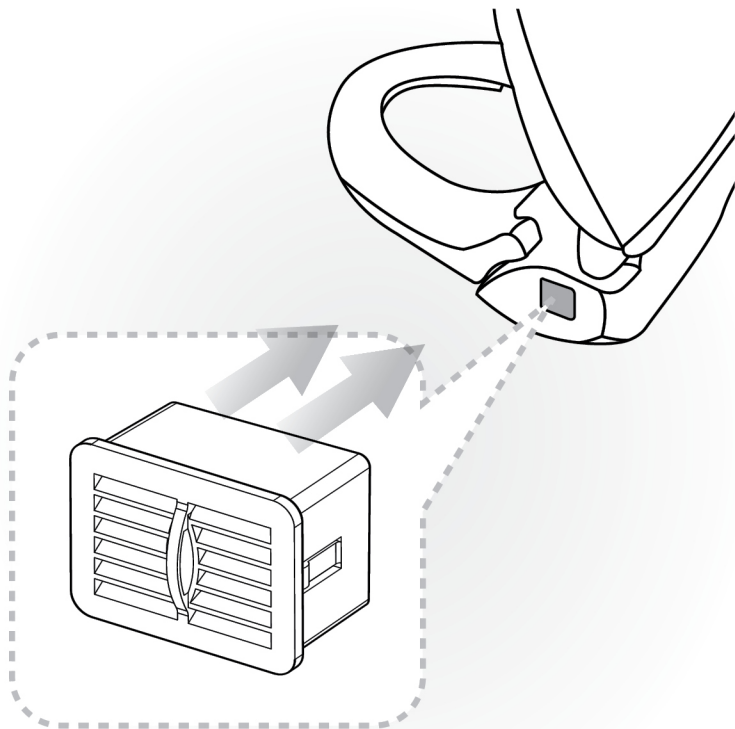
- ▶ Identify a location in the bathroom for the remote control that is visible and reachable from the toilet.



9

Insert the deodorizing cartridge into the bidet body.

(DIB-J450R only)



10

Be sure that the nozzle comes out and retracts when powered on.

- ▶ Don't plug the power cord with wet hands. Risk of electric shock.

