

# Product Descriptions

## Coway BA13A

### RHS Description

This modern and elegant design has subtle curves and soft lines that will enrich your bathroom whilst delivering uncompromising hygienic power and efficiency. The technologically advanced design of this Coway BA13A offers an energy efficient instant heating system providing warm, cleansing water.

The durable and compact remote control was designed to fit comfortably in your hand and can also be mounted magnetically to a wall holder. An additional accessory that can be purchased for use with the BA13A is the 3 Way Control, this product may assist individuals with extreme mobility difficulties or visual impairments.

The BA13A has a SWL of 150kg.

### Product Description

Coway is the number one Bidet manufacturer in South Korea with a long history and experience in toilet hygiene and water purification. Coway is an environmentally conscious and sustainable company that prides themselves on producing the highest quality of products. They have won many awards for their exquisite product designs and environmentally friendly manufacturing processes.

A luxurious, sleek and versatile bidet suited for the entire family. It is the ultimate personal health and hygiene solution. The BA13A provides you with the utmost high-tech bathroom cleansing experience. From its self sterilising, stainless steel twin spray nozzles to its luxurious heated drier, the BA13A is loaded with all the features to meet your cleansing and comfort needs. This bidet was carefully designed to be functional, durable, comfortable and energy efficient.

The remote is a handheld device designed to reduce the risk of injury that may occur when turning to reach for toilet paper. It allows the user to adjust the nozzle position, temperature of the seat, water and drier and the water pressure. In the event that you would like an additional feature of an adjustable spray width, the BA13B remote can be purchased for this feature to be accessible.

***NOTE: This bidet can fit on either a fully concealed toilet that has no access to the seat bolts or a toilet that does have access to seat bolts***

***NOTE: When looking at the bidet/ toilet, the 1.5m power lead comes from the RHS and the water pipe comes from the LHS - THIS CANNOT BE CHANGED***

### Features

Features	Description
<b>Additional Features</b>	
<b>Remote Control</b>	All functions are managed from an easy to use, intuitive remote control which can be hand held or mounted on the wall.
<b>Mini Side Control</b>	Puts some functions in a mini pad on the side of the seat - Power, Rear Cleansing & Nozzle Cleansing
<b>Massage/Move</b>	Moves the nozzle forward and backward in a rhythmic action for a more

## Product Descriptions

	thorough cleansing and stimulating wash.
<b>Standard Features</b>	
<b>Heated Dryer</b>	Blows warm air to gently dry you after a wash and offers 4 temperature settings.
<b>Heated Seat</b>	When sitting on the seat it will warm up to the desired temperature and offers 4 different temperature options (no heat + 3 heat settings).
<b>Heated Water</b>	Cleanses with warm water and offers 4 temperature settings (no heat + 3 heat settings) and 3 water pressure settings.
<b>Rear Cleansing</b>	This function is for washing the bottom area only.
<b>Feminine Cleanse</b>	This feature is exclusively for women, to use for their vaginal area.
<b>Instantaneous Heat</b>	The water heats up when the wash button is selected by the user. The water heats inside of the nozzle before being released.
<b>Nozzles</b>	This bidet comes with Twin Stainless Steel Nozzles - The Rear/Enema & Feminine wash nozzles (RFE) are separated to enhance hygiene and reduce the risk of cross contamination.
<b>Nozzle Position Adjust</b>	The nozzle is adjustable to 5 different positions and should be adjusted to the correct position for washing.
<b>Self Cleansing Nozzles</b>	Before and after each use of the nozzle, they automatically clean themselves to avoid cross contamination. There is also an additional manual button if they require additional cleaning.
<b>Seat Sensor</b>	The moisture activated seat sensor is incorporated in the design to ensure that the bidet or automatic flushing functions can not be activated unless the seat is occupied. The seat sensor is located between 3 & 5 o'clock on the toilet seat.
<b>Soft Close Seat &amp; Lid</b>	Hydraulic dampers installed at the hinges allow the seat and lid to close softly.
<b>Antibacterial Plastic</b>	The Bidet is made with antibacterial plastic to ensure the highest degree of hygiene & cleanliness.
<b>Power Saving</b>	The Bidet senses when it is not occupied and will automatically go into "power save mode". This function can be turned off and on.
<b>Water Saving</b>	An average wash uses about a tea cup or two of water.
<b>Quick Release</b>	This bidet has a quick release base plate on the bottom of the bidet to enable this bidet to be fitted to toilets that have access to seat bolts and toilets that are fully concealed. With the press of 1 or 2 buttons you can slide the bidet toward the front of the toilet for easy removal.

# Product Descriptions

## Requirements

You must ensure that you have a tap on the wall, a powerpoint within 1.5 metres of the toilet & a plumber to complete your installation.

This bidet has a quick release base plate on the bottom of the bidet to enable this bidet to be fitted to toilets that have access to seat bolts and toilets that are fully concealed.

**NOTE: You will need to know if your tap is located on the LHS, RHS or in your cistern when looking at your toilet. You will also need to know if you have access to the seat bolts. This knowledge is required as extra accessories for installation may need to be purchased.**

**NOTE: If being installed on a fully concealed toilet - Top Fixing Bolts must be purchased separately.**

Additional products that may be required:

- If TAP is on RHS - 1m of 1/4" White Pipe and 1x Elbow Kit is required
- If TAP is in the Cistern - 1/2" Internal Fitting Kit and 1x Elbow Kit is required
- If installed on a bottom fixing toilet with arms/rails & 80mm spacer - Extension Brackets are required
- If installed on a top fixing toilet - Top Fixing Bolts are required
- If installed on a top fixing toilet with a 50mm spacer - Extra Long Top Fixing Bolts are required
- If installed on a top fixing toilet with Arms/Rails - Top Fixing Bolts are required
- If installed on a top fixing toilet with a 50mm Spacer and Arms/Rails - Extra Long Top Fixing Bolts are required
- If installed on a top fixing toilet with an 80mm Spacer - Extra Long Top Fixing Bolts & Stabilisers are required
- If installed on a top fixing toilet with an 80mm Spacer & Arms/Rails - Extra Long Top Fixing Bolts, Stabilisers and Extension Brackets are required

## Sizing

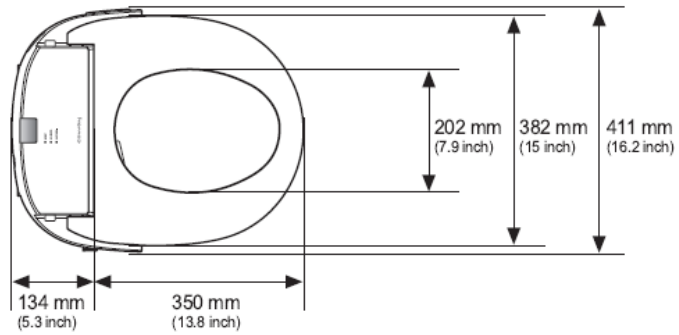
### Measurements required in order for this bidet to fit onto your toilet

BA13A/B Regular Seat	BA13A/B Elongated Seat
A = 480mm or above	A = 510mm or above
B = Between 130 – 200mm	B = Between 130 – 200mm
C = 310mm or above	C = 340mm or above
D = 400mm or above	D = 430mm or above

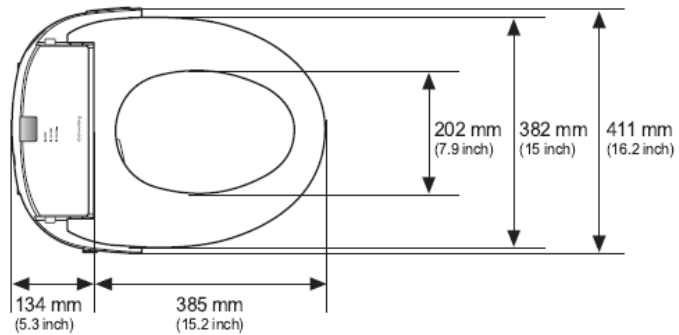
# Product Descriptions

## Measurements of bidet seat

### >> BA13-AR/BR (Round shape)

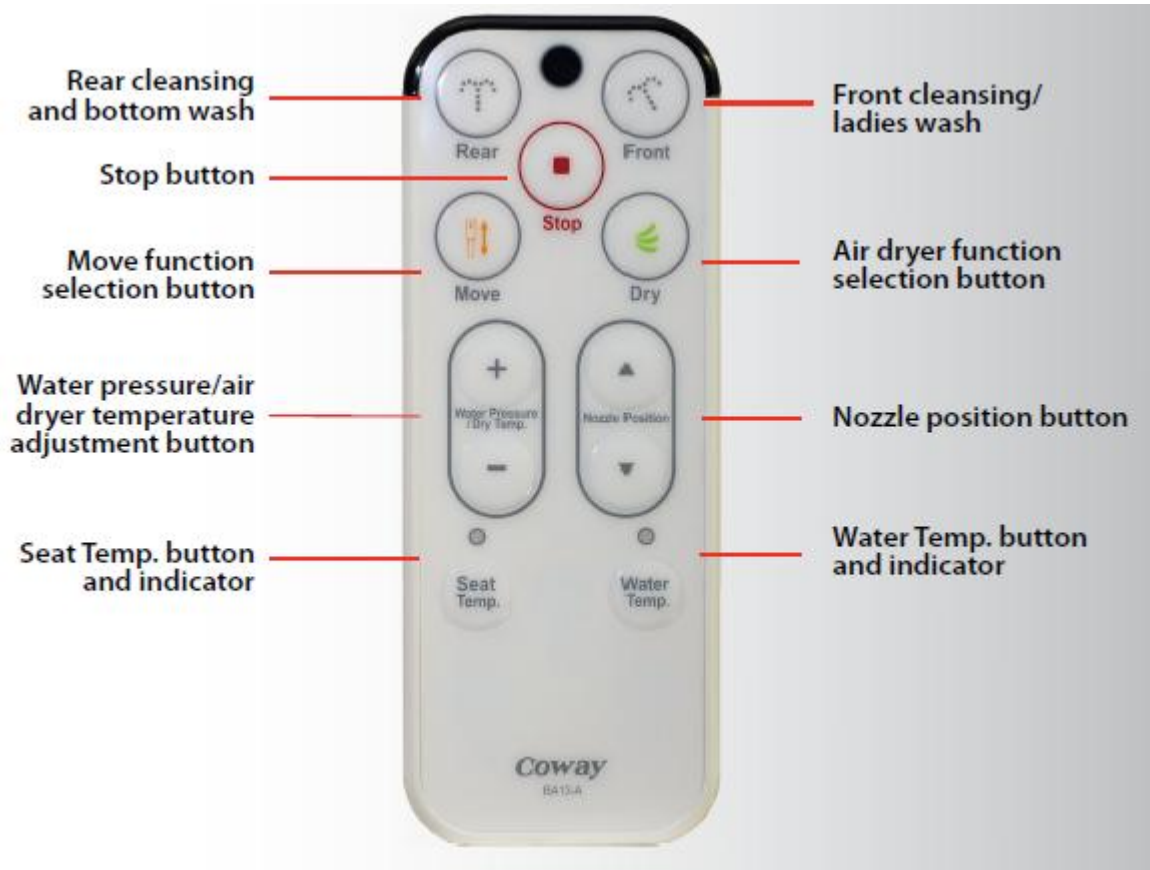


### >> BA13-AE/BE (Elongated shape)

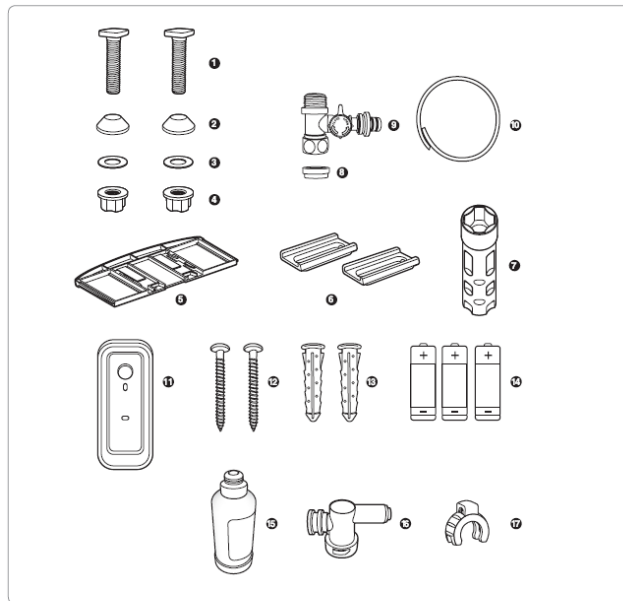


# Product Descriptions

## Remote



## Box Content



- ❶ 2 fixing screws
- ❷ 2 fixing rubbers
- ❸ 2 fixing washers
- ❹ 2 fixing nuts
- ❺ Installation plate
- ❻ 2 fixing sliders
- ❼ Fixer hand grip
- ❽ Rubber packing
- ❾ T-shaped connector
- ❿ Bidet hose
- ⓫ Remote control wall mount (including the sticker for attachment)
- ⓬ 2 screws
- ⓭ 2 anchors
- ⓮ 3 batteries (AAA)
- ⓯ Nano silver ceramic MF filter
- ⓰ Filter holder
- ⓱ 2 filter clips

# Product Descriptions

# Product Descriptions

## Specifications

Product name		Coway Bidet
Model no.		BA13-AR/AE/BR/BE
Standard power voltage		240 V~, 50 Hz
Power consumption		1 400 W
Supply water pressure		0.11 MPa - 0.68 MPa
Dimensions	BA13-AR/BR	382 mm (Width) × 493 mm (Depth) × 144 mm (Height)
	BA13-AE/BE	382 mm (Width) × 528 mm (Depth) × 144 mm (Height)
Weight		6 kg - 6.5 kg
Warm water cleansing device	Rear cleansing	Maximum 0.5 L/min, automatic nozzle self-cleaning function
	Front cleansing	Maximum 0.5 L/min, automatic nozzle self-cleaning function
	Standard time	Rear cleansing 1 minute, front cleansing 1 minute, drying 2 minutes
	Water pressure control	3 levels Micom control
	Warm water temperature control	4 levels (Off: Room temperature, L: 31.5 °C, M: 34.5 °C, H: 37.5 °C)
	Power consumption by heater	1 250 W
Safety devices		Bimetal, temperature sensor, temperature fuse (overheating prevention), micro switch
Air dryer device	Warm air temperature control	4 levels (Off: Room temperature, L, M, H)
	Standard time	Drying for 2 minutes
	Power consumption by heater	180 W
	Safety devices	Bimetal, temperature fuse (overheating prevention)
Heated seat	Seat temperature control	4 levels (Off: Room temperature, L: 31 °C, M: 34 °C, H: 37 °C)
	Power consumption by heater	60 W
	Safety devices	Bimetal, temperature fuse (overheating prevention)
MESH filter	Specifications	25.2 mm (Length) × 19.8 mm (Ø)
MF Filter	Service life	4 months (2.5 t/month, Based on water turbidity of 0.5 NTU or lower)
	Specifications	120 mm (Length) × 48 mm (Ø)
Installation parts		T-shaped connector, Rubber packing, Bidet hose, Installation plate, 2 fixing screws, 2 fixing rubbers, 2 fixing washers, 2 fixing nuts, 2 fixing sliders, 2 screws, Nano silver ceramic MF filter, Filter holder, 2 Filter clips, 2 anchors, 3 batteries (AAA), Remote control wall mount, Fixer hand grip
Other functions		Instant warm water system, AIR <sup>+</sup> water stream, MESH filter, Nano silver ceramic MF filter, Eco mode, Stainless steel twin nozzle (The Wide Deodorization and Sterilization functions are supported for the BA13-BR/BE only)
Operating temperature		0 °C - 40 °C

## Installation

A licensed plumber must install this retro-fit bidet in accordance with the Plumbing Code of Australia (PCA) and WMTS 051:2016 Bidet Douche Seats.

## Warranty

2 year Limited Warranty

*(1 Year Standard Manufacturer's Warranty + 1 Year Complimentary Parts & Labour Warranty)*

**Extended Warranty Available for Purchase**

The Coway Range is compliant with AS 2845.2:1996 Clause 4.2 Minimum Air Gap  
+Logos+

All products must be installed by a licensed plumber in accordance with WMTS 051:2016 Bidet Douche Seat.